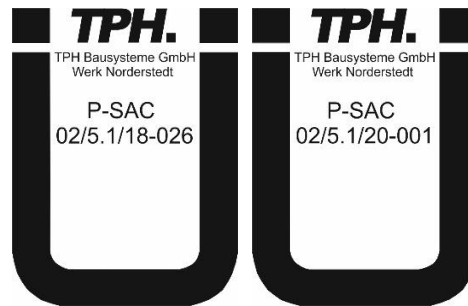


## FERROQUELL

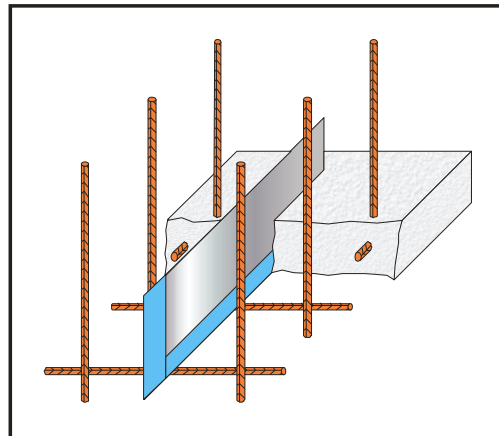
General Building Authority Test Certificate **FERROQUELL**  
General Building Authority Test Certificate **FERROSTOSS**



### Properties:

**FERROQUELL** is a metal waterstop manages without the need of elaborate concrete upstands. It is simply mounted on top of the upper reinforcement and fixed with clips or clamps.

Contrary to conventional metal waterstops **FERROQUELL** is only 15 cm high and available in rolls or strips. The expanding effect of the hydrophilic rubber compensates for the shorter circular stretch of the upright steelplate when mounted.



In addition to the **FERROQUELL I** standard there is a **FERROQUELL II** special version available with all-round hydrophilic rubber coating.

### Technical data:

Metal type	Slit strip, type DC01 A	
Rubber type	<b>HYDROTITE</b> hydrophilic rubber	
Material basis	Polychloroprene, vulcanised	
Colour	blue	
Water absorption	approx. 300 Vol.%	DIN EN ISO 62
Delay coating	yes	
Dimension	2000 x 150 x 0,75 mm 20000 x 150 x 0,75 mm	

## Processing:

*FERROQUELL* must always be installed with the hydrophilic rubber faced down to the water. The metal waterstop is either mounted on top of the upper reinforcement before concreting or inserted immediately after concreting, deep enough so that the hydrophilic rubber is minimum 30 mm covered by concrete.

The connection of individual metal waterstops is performed by means of fixing clamps *type SF* or *S* or fastening clips.

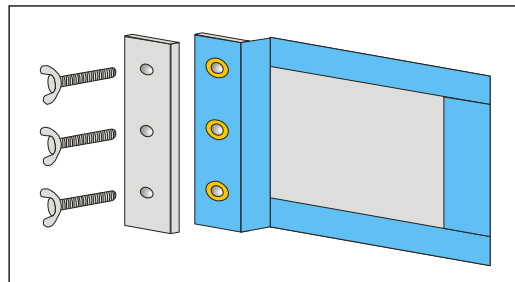
When using fastening clips as the only fixing the upright position of the metal waterstop must be ensured by fixing with tie wire at the reinforcement.

In contrast, the *FERROQUELL* joint metal waterstop is standing in upright position by using fixing clamps *type SF*. To increase stability, the fixing clamp should be fasten on reinforcement by means of tie wire.

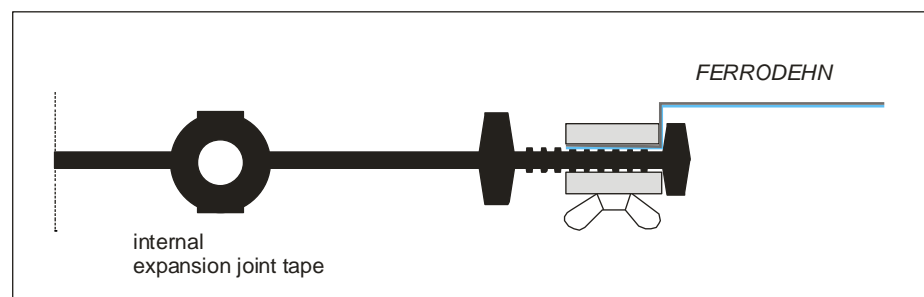
When using fixing clamp *Typ S* the joint metal waterstop is stabilised by welding of fixing clamp on the reinforcement.

In case of difficult constructions (crossing points, T-joints etc.) the use of *QUELLFLEX* as assembling aid may be necessary.

For connection of *FERROQUELL* joint metal waterstop system to internal expansion joint tapes the use of *FERRODEHN* is recommended.

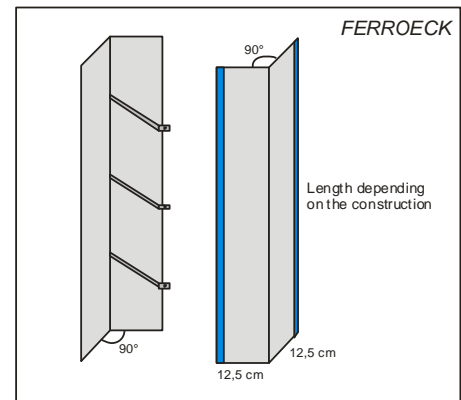
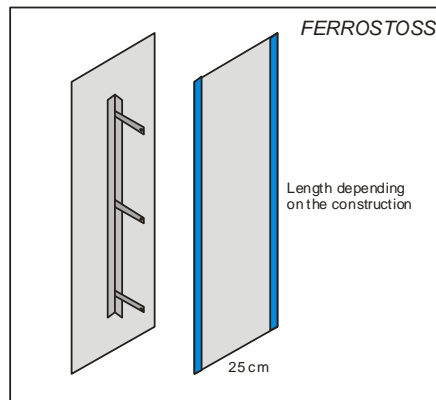


The connection of *FERRODEHN* to the *FERROQUELL*-system is achieved by using standard fixing clamps or fastening clips.



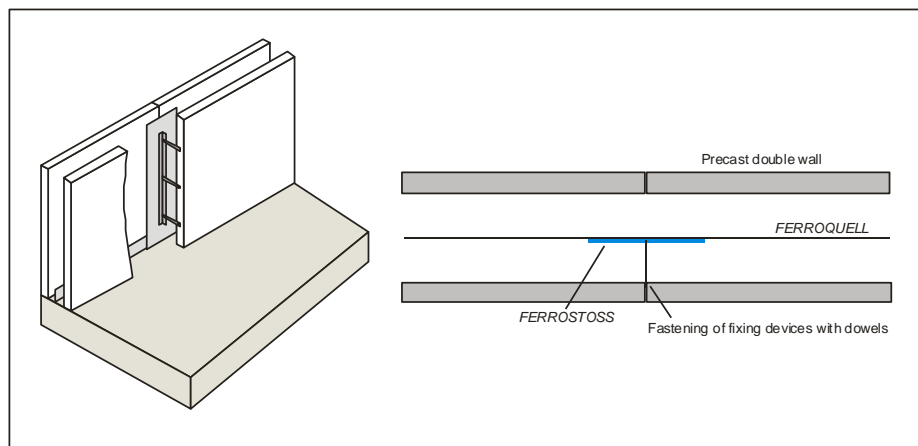
The fixation to expansion joint tapes is carried out by means of a flange connection, which can be fixed easily without any tool by using wing bolts. The flange is sealed with two stripes of hydrophilic rubber on both sides.

When *FERROQUELL* is applied for sealing of precast double walls the use of *FERROSTOSS* and *FERROECK* is recommended for sealing of vertical joints between the individual walls and in the corners.

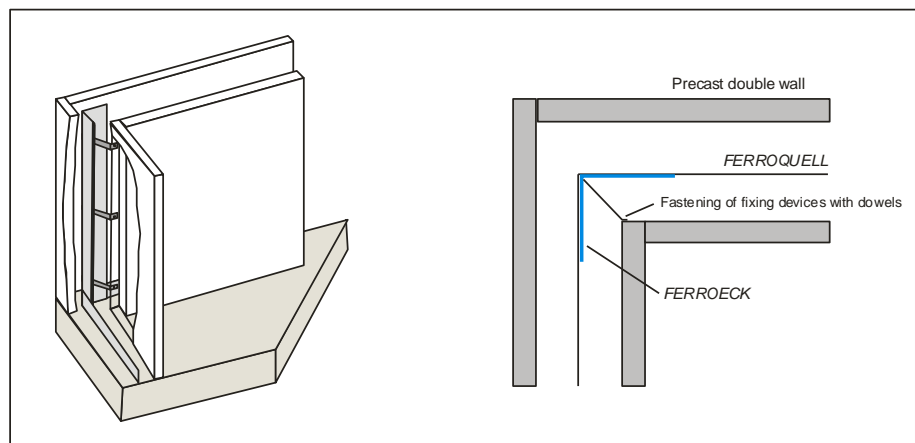


*FERROSTOSS* and *FERROECK* vertical joint elements are placed on the base plate and connected to the horizontal *FERROQUELL* joint metal waterstop each with two fixing clamps *type VF*. Furthermore the fixing devices of *FERROSTOSS* and *FERROECK* are fastened with dowels to the precast double wall.

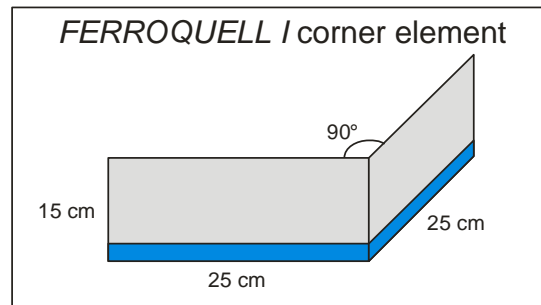
#### Application of FERROSTOSS:



#### Application of FERROECK:



In the corner of horizontal sealing the factory-bended *FERROQUELL I* corner element (or *FERROQUELL II* corner element) should be used for an optimal connection to *FERROECK* vertical joint element.



**Safety information:**

No special measures required

**Packaging:**

2 m stripe                      50 m in package  
20 m roll                        20 m in carton

Further information on packaging of *FERROQUELL I* and *II*, *FERRODEHN*, *FERROECK*, *FERROSTOSS*, *FERROQUELL I* and *II* corner element please refer to the price list.

**Storage:**

Shelf life at least 24 month in original packaging when stored in dry conditions between 15-25°C, protected from heat, frost and direct sunlight.

After the expiration the use of the product is generally not recommended, unless an approval has been provided by TPH. This approval can only be obtained by the quality assurance department of TPH releasing the material after verification of main properties being within specification.

**Disposal:**

Recommendation:

Small quantities of product residues can be disposed of as normal domestic waste. Dispose of bigger quantities must be effected in accordance with the corresponding local regulations.

**Test certificates:**

Swelling behaviour of *FERROQUELL* in gauging water in accordance with DIN 4030; MFPA Leipzig 1999

Technical application test of *FERRODEHN* as connection between thermoplastic waterstops and metal waterstops; MFPA Leipzig 2004

General Building Authority Test Certificate for the metal waterstop *FERROQUELL*; MFPA Leipzig 2007

General Building Authority Test Certificate for the vertical joint element *FERROSTOSS*; MFPA Leipzig 2015



**Legal notice:**

The correct and thus successful application of our products is not subject to our control. A guarantee can be issued for the quality of our products within the framework of our sales and supply conditions, however not for successful processing. All data and specifications in this specification sheet are based on the present state of the art and the right to changes and adaptations for the sake of development remains explicitly reserved. The consumption specifications designated by us can be only average empirical values, where deviations are possible on an individual basis and therefore cannot be excluded by us.

**TPH Bausysteme GmbH**  
Nordportbogen 8  
**D-22848 Norderstedt**

Tel.: +49 (0)40 / 52 90 66 78-0  
Fax: +49 (0)40 / 52 90 66 78-78  
e-mail [info@tph-bausysteme.com](mailto:info@tph-bausysteme.com)  
Web [www.tph-bausysteme.com](http://www.tph-bausysteme.com)

